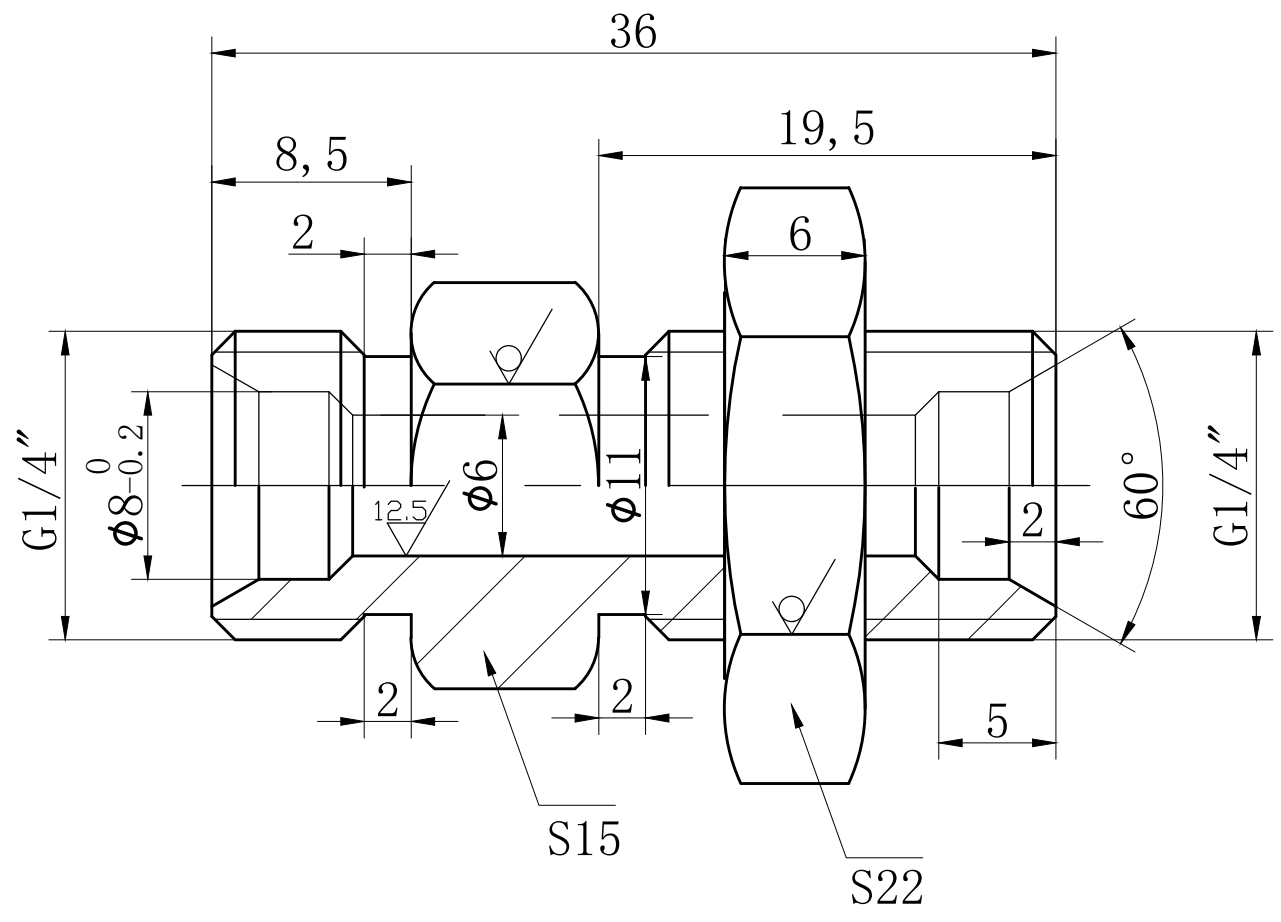


3.2



					Bulkhead unions 1/4"			
				MATERIAL	316			
				DATE	2022. 11. 17			
				QINGDAO MR METALS CO., LTD				